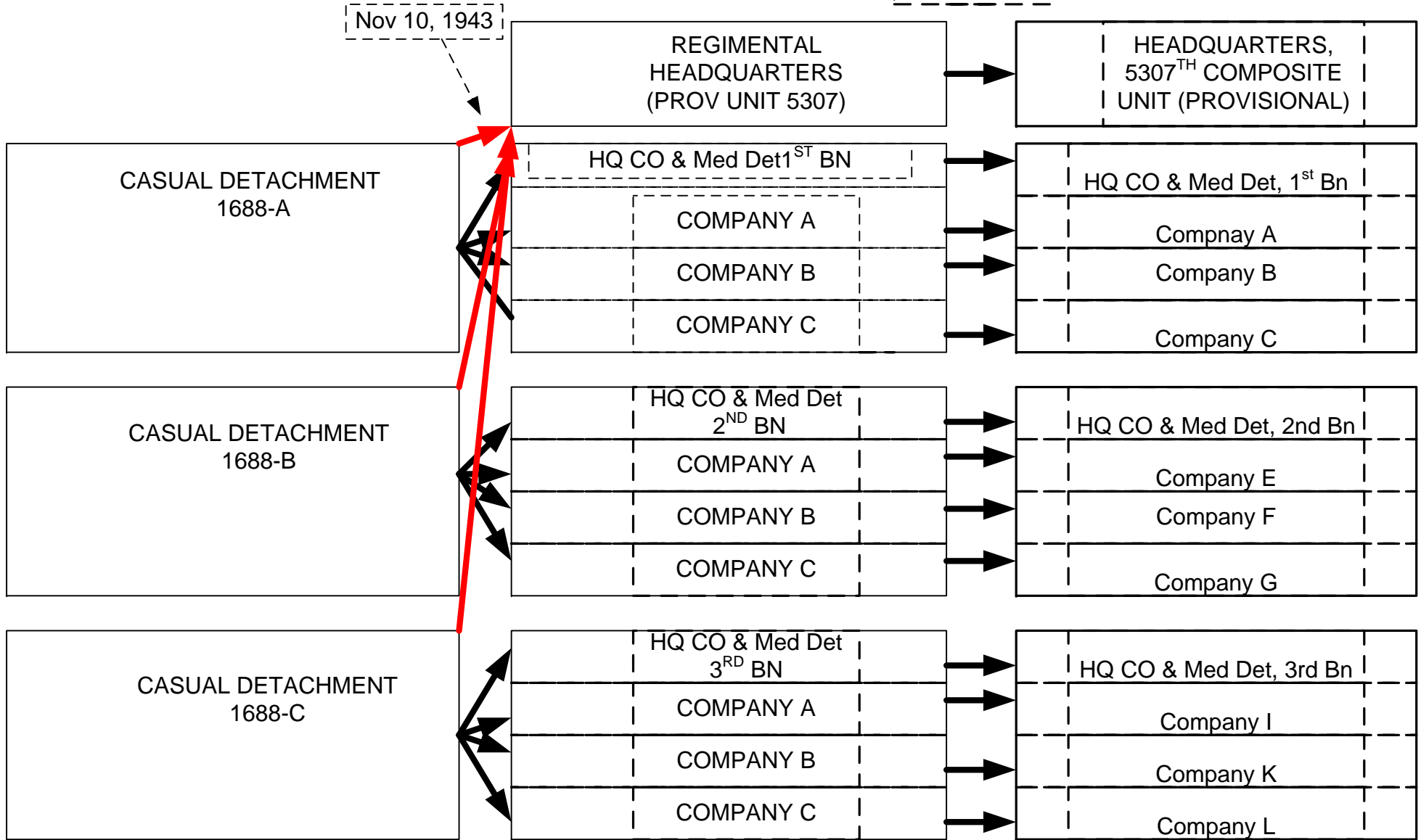


EVOLUTION OF THE CASUAL DETACHMENTS TO 5307<sup>TH</sup> COMPOSITE UNIT (PROVISIONAL)

JAN 1, 1944

Nov 10, 1943



This chart represents the possible evolution from Casual Detachments to the 5307<sup>th</sup> Composite Unit (Provisional). I have received too few Morning Reports to say that this is absolute. However, apparently, units submitted Morning Reports until 9 Nov 1943 using unit designations such as B C 1688, which I take to mean Company B of Casual Detachment 1688 C Battalion. Beginning 10 November 1943, units began using designations such as B C Prov Unit 5307. I see references here to "Regimental Headquarters", and have seen references to either "Company I" or "Company L" as well as "Column 2". Much research still needs to be done to determine exactly how this transition occurred. Hansel L Haycox, 12 Oct 05